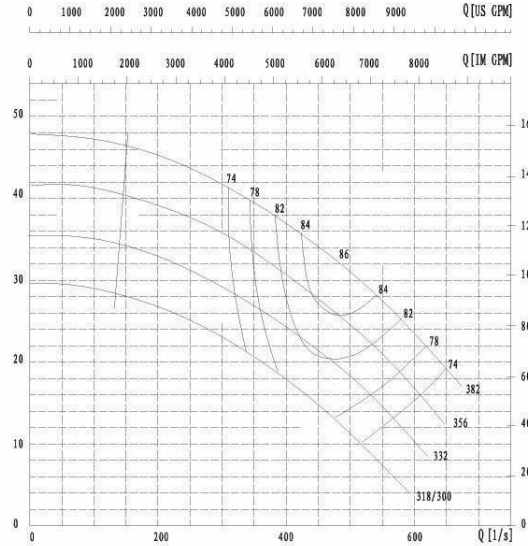
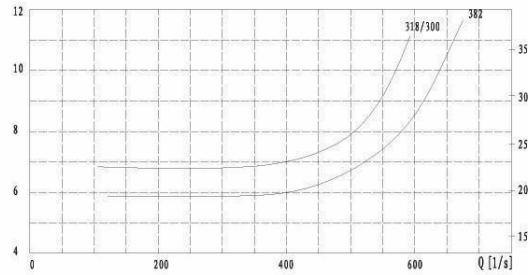


### Pump Model CPS 400-350-360

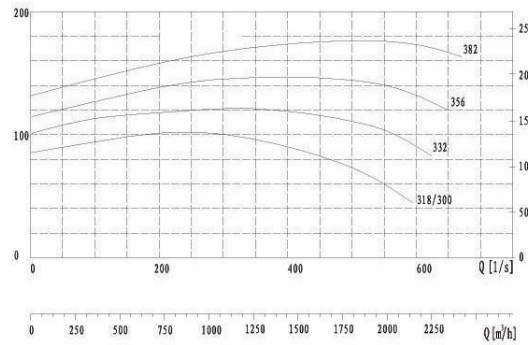
Speed 1450rpm



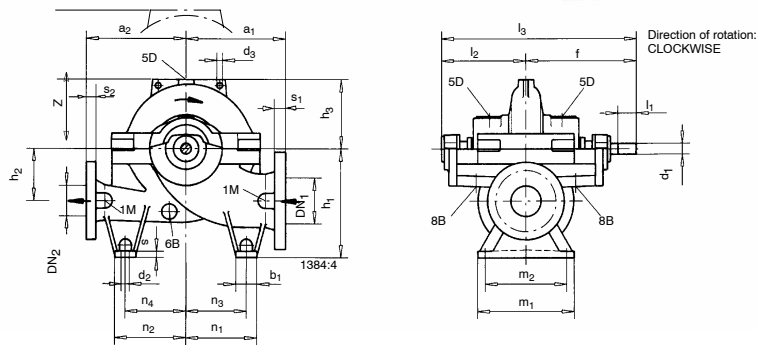
H [ft]



NPSH [ft]



P [hp]



Pump Size	FLANGE DIMENSIONS				PUMP DIMENSIONS									
	DN1	DN2	s1	s2	a1	a2	d3	f	h1	h2	h3	l2	l3	z
CPS 400-350-360	400	350	38.1	36	650	550	24.5	730	670	350	410	515	1245	820
	FOOT DIMENSIONS					SHAFT					PUMP WEIGHT			
	b1	d2	m1	m2	n1	n2	n3	n4	s	d1	L1	(kg)		
	100	22	600	520	400	400	350	350	26	75	160	865		